

Silicon NPN Power Transistors

2SC4878

DESCRIPTION

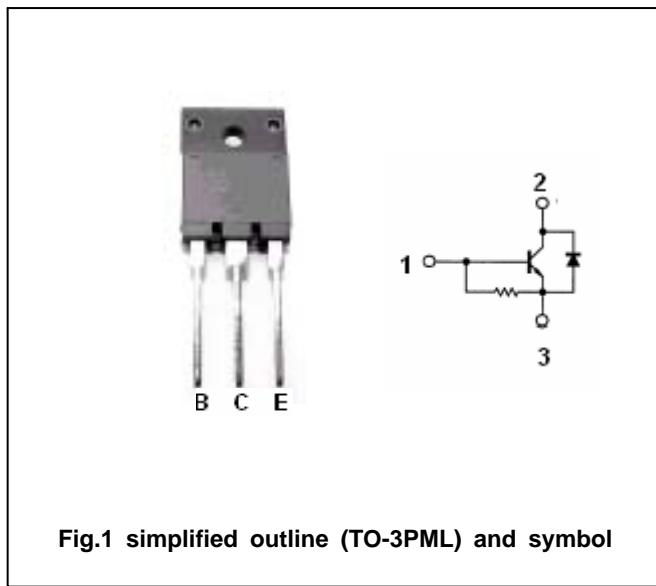
- With TO-3PML package
- High breakdown voltage
- High speed switching
- Built-in damper diode

APPLICATIONS

- Color TV horizontal deflection output
- Color display horizontal deflection output

PINNING

| PIN | DESCRIPTION |
|-----|-------------|
| 1   | Base        |
| 2   | Collector   |
| 3   | Emitter     |



Absolute maximum ratings( $T_a=25^\circ\text{C}$ )

| SYMBOL    | PARAMETER                   | CONDITIONS     | VALUE   | UNIT |
|-----------|-----------------------------|----------------|---------|------|
| $V_{CBO}$ | Collector-base voltage      | Open emitter   | 1500    | V    |
| $V_{CEO}$ | Collector-emitter voltage   | Open base      | 800     | V    |
| $V_{EBO}$ | Emitter-base voltage        | Open collector | 5       | V    |
| $I_C$     | Collector current           |                | 10      | A    |
| $P_C$     | Collector power dissipation | $T_C=25$       | 50      | W    |
| $T_j$     | Junction temperature        |                | 150     |      |
| $T_{stg}$ | Storage temperature         |                | -55~150 |      |

## Silicon NPN Power Transistors

## 2SC4878

## CHARACTERISTICS

T<sub>j</sub>=25 unless otherwise specified

| SYMBOL                | PARAMETER                            | CONDITIONS                                | MIN | TYP. | MAX | UNIT |
|-----------------------|--------------------------------------|---|-----|------|-----|------|
| V <sub>CEO(SUS)</sub> | Collector-emitter sustaining voltage | I <sub>C</sub> =0.1A ; I <sub>B</sub> =0  | 800 |      |     | V    |
| V <sub>CE(sat)</sub>  | Collector-emitter saturation voltage | I <sub>C</sub> =8A ; I <sub>B</sub> =1.6A |     |      | 5.0 | V    |
| V <sub>BE(sat)</sub>  | Base-emitter saturation voltage      | I <sub>C</sub> =8A ; I <sub>B</sub> =1.6A |     |      | 1.5 | V    |
| I <sub>CBO</sub>      | Collector cut-off current            | V <sub>CB</sub> =800V; I <sub>E</sub> =0  |     |      | 10  | μ A  |
| I <sub>EBO</sub>      | Emitter cut-off current              | V <sub>EB</sub> =5V; I <sub>C</sub> =0    | 50  |      | 250 | mA   |
| h <sub>FE-1</sub>     | DC current gain                      | I <sub>C</sub> =1A ; V <sub>CE</sub> =5V  | 8   |      |     |      |
| h <sub>FE-2</sub>     | DC current gain                      | I <sub>C</sub> =8A ; V <sub>CE</sub> =5V  | 5   |      |     |      |

Silicon NPN Power Transistors

2SC4878

PACKAGE OUTLINE

